

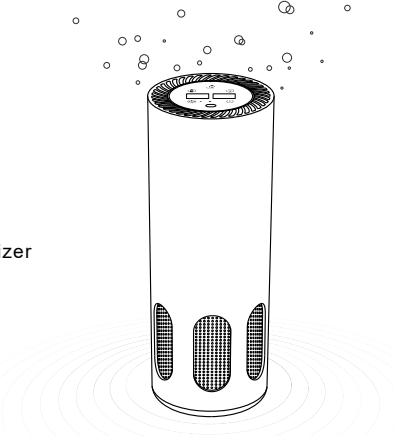
330.00 mm

110.00 mm

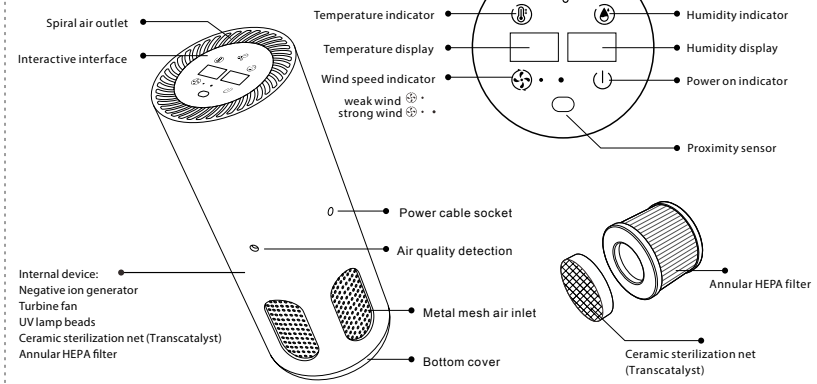
66.00 mm

AERIONE USER MANUAL

Product: Personal Air Sanitizer
Model: AER-PUR308

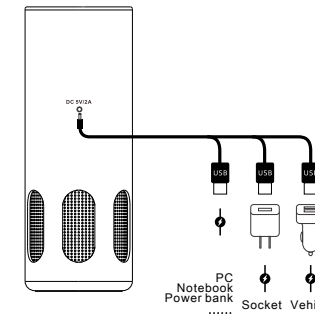


Product description



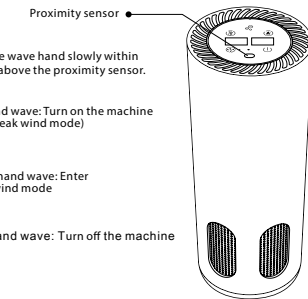
Operating instructions

Power connection
Power supply cable is suitable for multiple connection modes

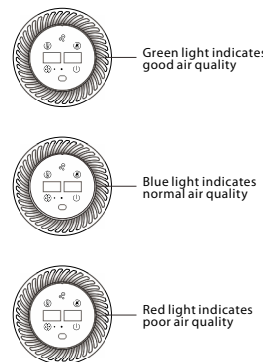


Interface operation

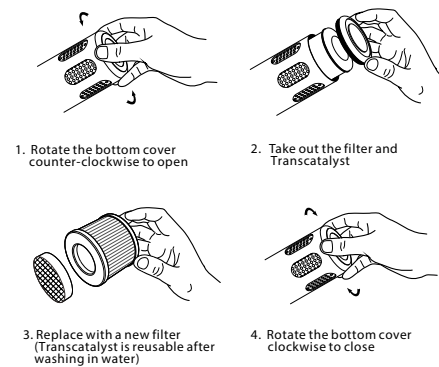
Wave hand to turn on the machine. Indicators of negative ion, temperature and humidity, wind speed regulation will turn on immediately to indicate unit is in operation.



Air Quality Display



Filter Replacement Method



Product Specifications

Size: 70 mm x 70 mm x 185 mm
Negative ion concentration : 50 Million pcs/cm³
Input Voltage: 5V / 2A
Power Consumption : <10 dB
Noise level:<35dB
Net Weight: 380 g
Air Quality Level: 1 - 3
Fan type: DC double inlet turbine fan
Temperature & Humidity Operating Range: 0 - 50 °C / 20 - 90% (RH)
Filter: Cotton PreFilter + Anti-Bacteria HEPA + Ceramic Sterilization Net(Transcatalyst) + Activated Carbon
HEPA Level: H11
UV wavelength: 365nm
Applicable space: <10 m³
Sterilization Efficiency: 99.94 %
Display: Digital Display
Housing Material: Aluminum Alloy
Surface Treatment: Anodic Oxidation
Control mode: Proximity sensing

Before Using

Do not expose product where liquid may enter the unit and ensure that it operates within the specified temperature and humidity operating ranges.
When not to be used over a long period, turn off power and place in a location where the environmental temperature is within conditions as specified.
Use only standard accessories or power adapter. Ensure that input voltage is within specifications.
To avoid damage to the internal microcomputer system, product should not be placed near any equipment radiating a strong magnetic or electric field.
Do not attempt to repair, disassemble, or modify the product.

What is included:

- Multifunctional air purifier
- User Manual
- USB charging cables or power adapter. Ensure that input voltage is within specifications.

Product Warranty

Terms

Aerione warrants product, with proof of purchase, to be free from defects in material and workmanship under normal use for a period of 12 months from date of purchase.
Aerione will repair, or at its option, provide an equivalent item or replace, the defective product during the stated warranty period.
Refunds are available within the first 30 days of purchase.
Warranty extends only when product is applied for personal used.

What is Not Covered

Damage as a result of accident, abuse, alteration, tampering, vandalism, or misuse as a result of non conformance to usage guidelines as described in this manual.
Damage during return shipping.
Unsupervised use by children under 18 years of age.
Damage due to force majeure.

For Purchase Registration

You can register your product purchase thru our website at www.aerione.com

Product Model: AER-PUR308

Color:

Store Purchased:

Order ID/Invoice/etc:

For any questions about your product, please contact us at any of the following:

AERIONE Inc.
77 City Centre Drive, Unit 501, East Tower
Mississauga, ON, L5M 6R1, Canada
Email: support@erione.com

Please have your purchase information above available before contacting Customer Support